



# Owner's Manual



[freedomconcepts.com](http://freedomconcepts.com)



**For All Freedom Concepts Adaptive Bicycles**



**IMPORTANT!** Keep this manual for future reference. Additional copies available at [freedomconcepts.com](http://freedomconcepts.com)



## WARNING

**Read and understand these instructions for use before using the device. If the instructions are not followed serious injury could occur.**

Congratulations on the purchase of your new Freedom Concepts bike! This Owner's Manual refers to our complete bike line and has been color-coded to easily reference the options and components that apply to your bike.

If this manual and the video tutorials on our website do not answer your questions, please feel free to contact our customer service department at 1-800-661-9915.

[Service@FreedomConcepts.com](mailto:Service@FreedomConcepts.com)

*Remember to always "Cycle Hard" and "Chill-Out" often!*

The Freedom Concepts Multi-Tool comes with each adaptive bike and is used for many adjustments in this manual.



- ✓ This is a therapy device. Consult a qualified professional for the proper setup, application and safety of this product for each user.
- ✓ **Device Can Tip** and cause rider to fall. To avoid injury:
  - ✓ Supervise rider at all times.
  - ✓ Secure rider by fastening all seat straps and foot straps before moving device.
  - ✓ Rider should wear protective helmet and shoes.
  - ✓ Take corners slowly, speed should not exceed a walking pace.
  - ✓ Avoid uneven surfaces, obstacles on the ground, stairways and pools.
  - ✓ Do not use device with riders outside the weight limits specified.
- ✓ Keep hands, feet and loose clothing away from moving chain and sprockets. Severe injury can occur.
- ✓ Engage the parking brake while transferring rider on or off the bike and while the bike is not in use. If the brake is not applied the bike can roll unexpectedly and cause injury or damage.
- ✓ Ensure all quick release clamps are closed and tight before positioning rider on device. Improperly adjusted quick releases can cause the seat and/or handlebars to move unexpectedly. Quick releases are located at the base of the handlebars and on both seat posts.
- ✓ Do not adjust seat height while rider is seated on the device.
- ✓ Always fasten seatbelt when the butterfly chest harness or headrest is used to prevent strangulation, head entrapment or other injuries.
- ✓ Always ensure riders are wearing a helmet when the adaptive bicycle is in use.
- ✓ Do not alter or modify any component on the device. Freedom Concepts does not accept responsibility for any modifications or alterations made to the device after it leaves the factory. Customers modifying or altering the device do so at their own risk.
- ✓ Inspect this product and accessories regularly for loose or missing screws, metal fatigue, cracks, broken welds, missing attachments, general instability or other signs of excessive wear.
- ✓ Always ensure Anti-Tippers are in the "down" position when the Adjustable Tilt Fork is in use.



© 2023 FREEDOM CONCEPTS INC.





# Table of Contents



Looking for something in particular? Use our handy table of contents to source the exact page for what you need.

*Please note: not all instructions are relevant to each bike. Use the quick color-code reference on page 3 to ensure the instructions you are looking at are applicable to your bike's needs. Don't forget to follow our QR Codes for online video tutorials for repairs.*

## Welcome ..... 1-2

- Welcome to Freedom
- Safety Considerations
- Bike Registration
- Overview

## Models ..... 3

- Discovery • Adventurer
- Excursion • Odyssey
- Expedition
- Color-Code Reference

## Straps, Harnesses and Foot Plates ..... 4-5

- Seat Belts and Ankle Straps
- Chest Harness
- Velcro Straps
- Toe-up Pulley Adjustments
- Foot Plate Adjustments

## Seats ..... 6-7

- Adjusting Height
- Adjusting Incline
- T-Bar Seat Installation
- Head Support
- Swing Away Lateral Trunk Support
- Head Rest

## Steering ..... 8-11

- Handlebar/Grip
- Alignment
- Self-Centering Spring
- "U" Bar
- Quick Release Lever
- Handle Cable Tension
- Tandem Cable Tension
- Rear Steering Handlebar Column

## Gear Shifting and Crank/Sprocket Adjustments ..... 12-14

- Hand Grip Shifting
- Gear Box Hub
- Pedal Control Shifter
- Rear Control Gear Transfer
- Thumb/Finger Shifter
- Multi-Speed Shifter
- Rear Sprocket
- Electronic Motor
- Multi-Length Crank
- Bottom Bracket Crank
- Pedal Spacers

## Braking ..... 15-17

- Hand Brake Tension
- Dual Cable Junction
- Parking Back Brake
- Caliper Tension
- V-Brake Tension
- Disc Brake Tension

## Additional Features ..... 18

- Maintenance Guidelines
- Adjustable Tilt Fork
- Anti-Tippers

## Additional Features Continued ..... 19

- On/Off Pin Reciprocator

## Warranty ..... 20

## Notes ..... 21

freedomconcepts.com/warranty  
**Register your bike online!**

Model # \_\_\_\_\_

Serial # \_\_\_\_\_

Date of Purchase: \_\_\_\_\_

Visit us at

[FreedomConcepts.com](http://FreedomConcepts.com)

Find us on Facebook.

Tweet us on Twitter.

Follow us on Instagram.

Visit us on YouTube.

## Series Models

Freedom Concepts prides itself in enabling children of all ages, and even those who are just young at heart, to have fun. Cycling provides many physical and psychological benefits. It offers the advancement of motor skills, strengthens one's core muscles, develops confidence and offers independence.

All products and services are subject to change at anytime without notice, at the sole discretion of Freedom Concepts. Freedom Concepts reserves the right to discontinue any product at any time.

## Color-Code Quick Reference



All instructions have been color-coded as they pertain to each bike. When using this manual, look for the colored triangle that matches your bike model to quickly find the instructions you need.

### DISCOVERY SERIES

(DCP MINI, DCP 12, DCP 16)

Rider Age .....	18 mon.- 14 years
Rider Inseam ..	10" - 26" (25 cm - 66 cm)
Max Load .....	60 lbs - 150 lbs (27 kg - 68 kg)
Bike Weight.....	40 lbs - 50 lbs (18 kg - 22.5 kg)
Wheel Size.....	12" - 16" (30.5 cm - 40.5 cm)
Length* .....	42" - 58" (106 cm - 147.3 cm)
Width .....	29" - 33" (73.5 cm - 84 cm)



### ADVENTURER SERIES

(AS 2000, AS 2600)

Rider Age .....	14+ years
Rider Inseam ..	23" - 33" (58 cm - 84 cm)
Max Load .....	225 lbs - 300 lbs (102 kg - 136 kg)
Bike Weight.....	65 lbs - 68 lbs (29.5 kg - 31 kg)
Wheel Size.....	20" - 26" (50 cm - 66 cm)
Length* .....	60" - 78" (157.5 cm - 198 cm)
Width .....	31" - 35" (78.5 cm - 89 cm)



### EXCURSION SERIES

(ET2611)

Rider Age .....	7+ years
Inseam.....	18" - 28" (46 cm - 71 cm)
Max Load .....	400 lbs (181.5 kg)
	(combined)
Bike Weight.....	130 lbs (59 kg)
Wheel Size.....	26" (66 cm)
Length .....	103" (261.6 cm)
Width .....	41" (104 cm)



### ODYSSEY SERIES

(ASR 16 & ASR 2011)

Rider Age .....	7+ years
Rider Inseam ..	19" - 34" (48 cm - 86 cm)
Max Load .....	225 lbs (102 kg)
Bike Weight.....	73 - 83 lbs (33 - 38 kg)
Wheel Size.....	16" - 20" (40 - 51 cm)
Length* .....	73" - 85" (185.4 - 216 cm)
Width .....	31 - 35" (78.7 - 89 cm)



\*=with Rear Steering™

### EXPEDITION SERIES =EHDU =EHDO (Defier)

(EHDU 12, EHDU 16, EHDU 20 & EHDO)

Rider Age .....	4+ years
Rider Inseam ...	13" - 34" (33 cm - 66 cm)
Max Load .....	125 - 225 lbs (56 - 102 kg)
Bike Weight.....	45 - 81 lbs (20 - 36.7 kg)
Wheel Size.....	12" - 20" (30.5 - 51 cm)
Length* .....	43" - 89" (109 - 226 cm)
Width .....	29" - 35" (73.5 cm - 89 cm)

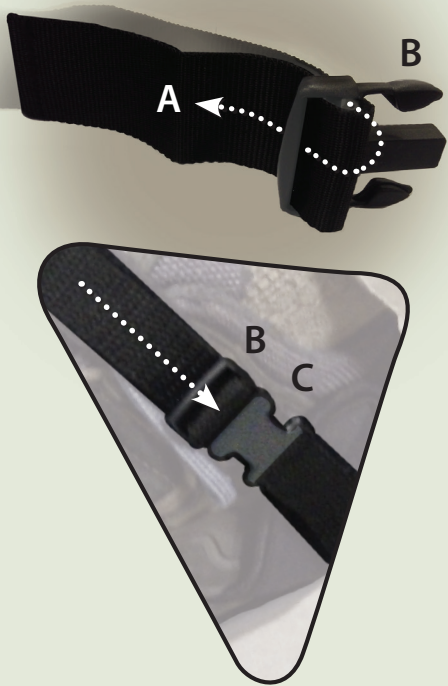






## SEAT BELT, CHEST STRAP & NEOPRENE ANKLE STRAP ADJUSTMENT

1. Loop strap as shown and pull (A) to tighten to desired length.
2. To close, push buckle (B) into lock clasp (C).
3. To release, squeeze buckle teeth (B) from side of lock clasp (C) and pull out buckle strap.



## Straps, Harnesses and Foot Plates (Operations)

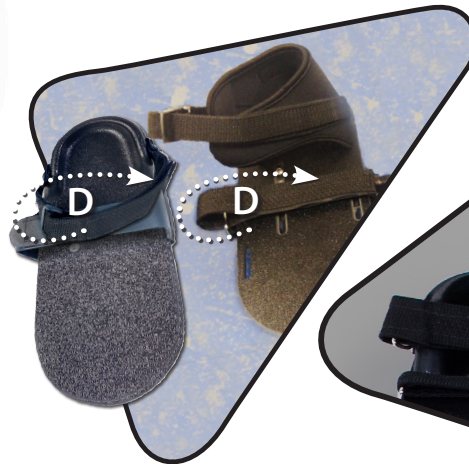
To ensure the rider is safely secured, please adjust the seat, straps, and harnesses to the proper settings for the individual.



### RIGID AND NEOPRENE VELCRO STRAPS

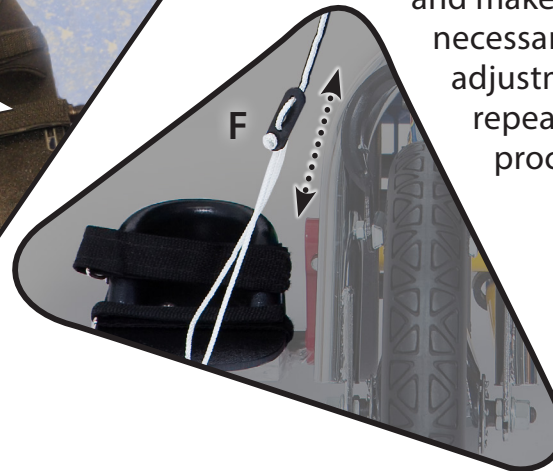
Straps help keep the rider's feet firmly in place.

1. Velcro foot straps loop through the ring (D).
2. Pull to tighten and then press strap together so Velcro can lock in place.
3. To remove foot, simply peel apart Velcro straps.



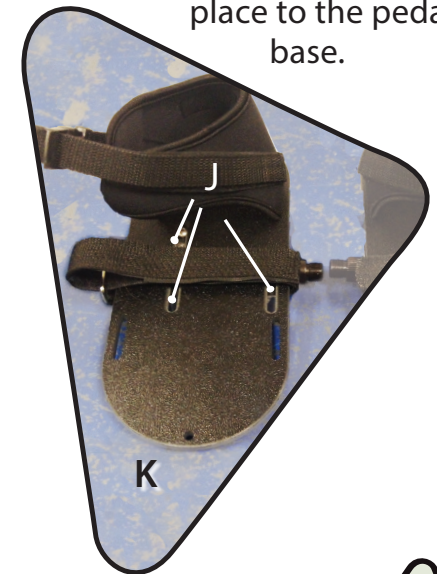
### TOE-UP PULLEY TENSION ADJUSTMENT

The position on the toe-up pulley rope can be easily adjusted by simply loosening the tension on the rope lock (F) and shifting its position up or down the rope to the desired location. Once determined, tighten the tension back on the rope lock. Double-check the position of feet and make any necessary adjustments by repeating the process.



### FOOT PLATE ADJUSTMENTS

Our Neoprene foot plates allow for quick and easy adjustments to properly match the individual's hip to foot ratio. Loosen the three foot plate screws (J) and shift the foot plate (K) forward or backwards. Once the desired position is determined, re-tighten the screws in place to the pedal base.



## Always wear shoes when riding to protect the feet.

Secure the foot first by positioning the heel at the back of the foot plate (G) and then attaching the straps (H) around the foot until snug.



### Learn More With Our How-To Videos.

Scan the QR Code with your phone and you will be linked to our Ready to Ride Video Series.

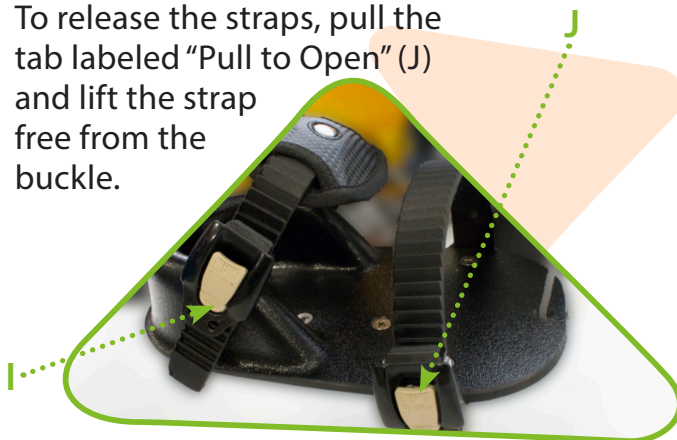


5

## RATCHETING FOOTPLATE ADJUSTMENT

To tighten the straps, flip the buckle tab (I) upwards to the desired tightness and fit.

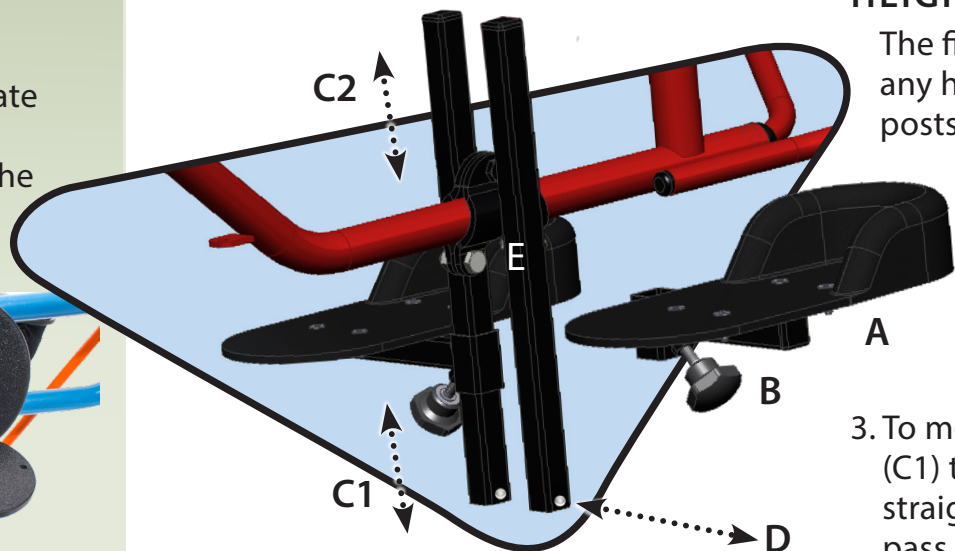
To release the straps, pull the tab labeled "Pull to Open" (J) and lift the strap free from the buckle.



## HANDCYCLE FOOTPLATE HEIGHT ADJUSTMENT

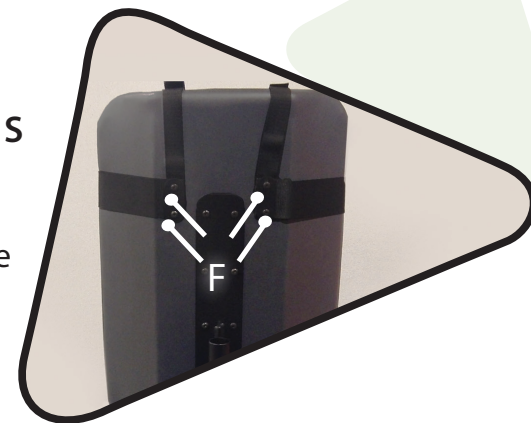
The fixed footplates can be positioned vertically at any height, along the top or bottom, of the vertical posts.

1. To move the footplates (A), turn the thumbscrew (B) under each footplate counterclockwise until loose.
2. Then slide the footplate (A) up or down the post (C1 or C2) to the desired height. Retighten the thumbscrew (B).
3. To move the footplates (A) from the bottom post (C1) to the top post (C2) simply push the button (D) straight into the bottom post so the footplate can pass freely. The safety push button is provided to ensure you do not lose the footplates should you not tighten the thumbscrews (B) properly.
4. The frame clamp can also be adjusted to move the footplates forward or backwards. Two 1/2" (13mm) wrenches are required to loosen the bottom clamp bolts (E) for repositioning to the desired location on the bike.



## CHEST HARNESS STRAPS

Four #2 Robertson wood screws (F) are used to secure the chest harness to the seat back.





## ! WARNING

**Seat lap belt must always be worn with the chest harness.**

Proper use of chest, lap, and hip belts ensures trunk stability and promotes safe positioning.

## ADJUSTABLE HEAD REST

1. Loosen thumb screws (I) on both sides of seat.
2. Raise or lower head rest (J) to desired setting for proper trunk and head heights.
3. Tighten thumb screws.



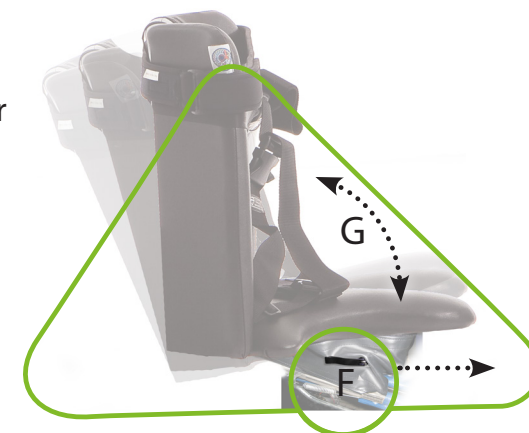
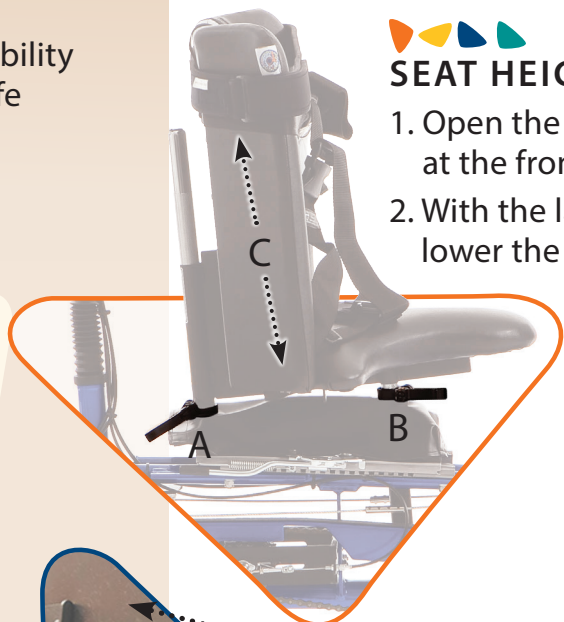
## Seats (Adjustments and Operations)

Seats come with different optional adjustments. Please refer to the following instructions for an understanding of the different adjustments available.

*\*See page 9 for quick release lever tension adjustments.*

## SEAT HEIGHT ADJUSTMENT

1. Open the quick release latches (A & B) at the front and back of the seat base.
2. With the latches open you can raise or lower the seat base (C) to your desired position.
3. Close the quick release latches (A & B) to clamp the seat base in the new position.



## SEAT TILT ADJUSTMENT

1. Open quick release latches (F) found on both sides at the front of the seat base.
2. Tilt seat to desired position (G).
3. Close quick release latches (F) on both sides of seat to clamp seat tilt at a new position.



## SEAT BASE LOCATION ADJUSTMENT

1. Pull out seat base locking handle to release seat position (D).
2. Slide seat forward or backward to desired new location (E).
3. Close locking handle (D) and push seat back to ensure locked position.

## T-BAR SEAT INSTALLATION

1. Ensure both seat quick release levers are open before installing the seat.
2. Lift the seat into position, installing the front seat post (D) first. (Quick release nuts may need to be loosened if the seat posts don't slide in.)
3. To lock the seat in place, close both quick release levers.
4. Before tightening the clamp bolt (E), make sure the T-Bar handle (F) is parallel to the back rest. Using 6mm hex key, tighten T-Bar clamp bolt (E). For bikes with Rear Steering, close the quick release on the bottom clamp.



## SWING AWAY LATERAL TRUNK SUPPORT

Loosening the black knob (G) at the back of the backrest allows the lateral support pad to be repositioned in height and width. Turn knob counterclockwise to loosen and clockwise to tighten.



## HEAD SUPPORT HARDWARE

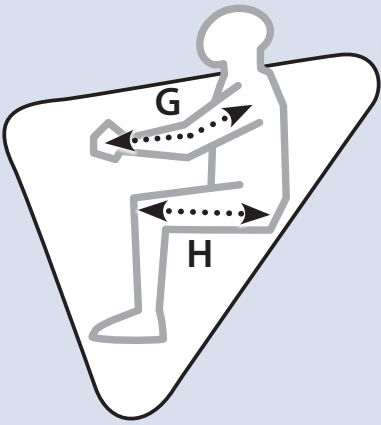
Head support must be set exclusively to each individual's needs. See detailed product manual for proper hardware installation and adjustment settings.





## SELF-CENTERING SPRING

Periodically check the self-centering spring to ensure proper tension. It is located on the bottom of the bike frame and connects to the fork on the front wheel. If the bike is not moving in a straight direction then the spring should be replaced.



# Steering (Adjustments and Operations)

All steering should be adjusted to individual needs. On the following pages we have provided some quick reference guides to help you with your steering requirements.



## HAND DRIVE STEERING COLUMN POSITIONING

Easy adjustments (F) can be made on Expedition Series Handcycles to determine the ideal hand pedal positioning and to allow for ease of transferring on and off the bike.

### RIDING

The ideal position for the hand pedals is mostly a personal choice. We recommend having the hand pedals moved in towards the rider until there is a slight bend at the elbow (G) when they are grasping the hand pedal at its furthest position, away from the chest.



This is based on using a starting point where the knees and hips are in a horizontal plane (H) with the seat of the bike in the lowest possible position.

### TRANSFERRING

For easier transfers on and off the bike, the crank bracket should be positioned as far away from the seat as possible (I).

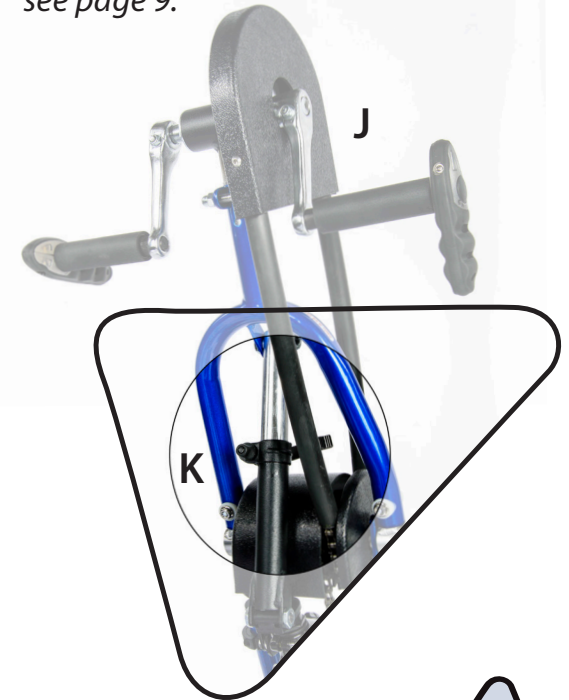


## HAND DRIVE STEERING ADJUSTMENT RELEASE

To swing hand pedals towards or away from the seat, do the following:

1. Hold the top steering column (J)
2. Open quick release lever (K)
3. Position top steering column to desired position and close quick release lever.

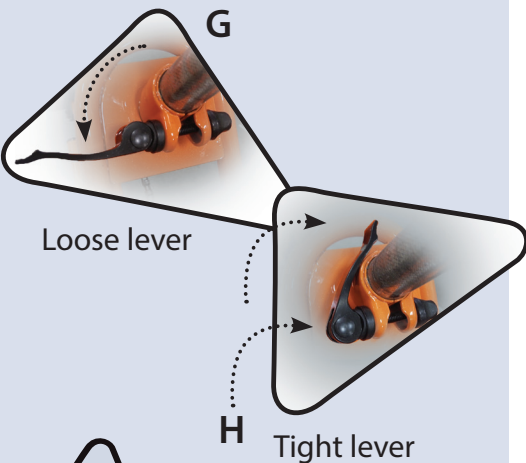
*\*For a better understanding on how to work the quick release lever see page 9.*



## Quick Release Lever Adjustments

From time-to-time you may need to adjust the tension on your quick release levers.

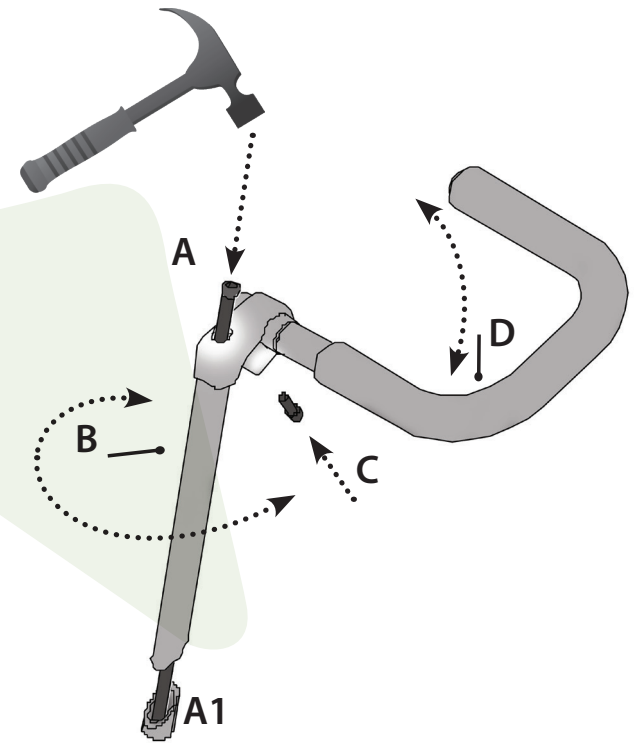
1. Open lever (G). Secure quick release nut (H) with finger and rotate lever clockwise to tighten, or counter clockwise to loosen tension.
2. Once set, close the lever to lock in place. If lever handle cannot close, loosen tension by opening the handle and turning counter-clockwise to desired setting.



## HANDLEBAR/GRIP ADJUSTMENTS

The 6mm Hex key required for these adjustments can be found on your Freedom Concepts Multi-Tool.

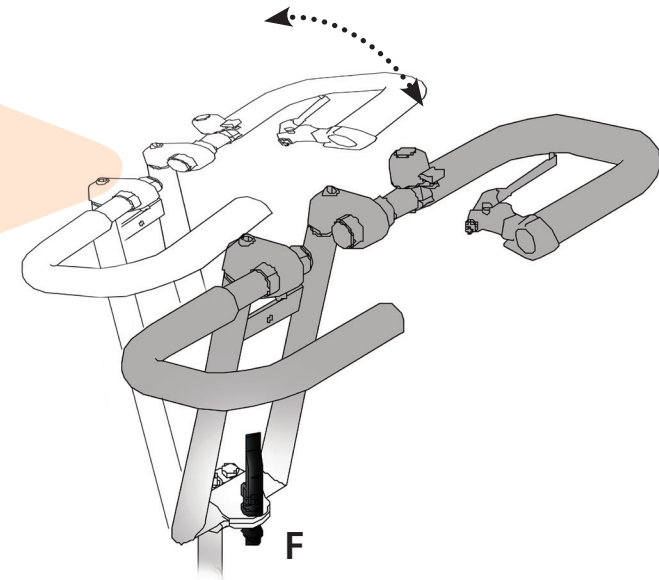
1. To adjust handlebar position, loosen 6mm socket head wedge bolt (A), approximately 4-5 full turns.
2. Tap bolt (A) lightly with a hammer to unlock wedge nut (A1) from within "U" bar tube.
3. Turn or raise handlebar stem (B) to desired position and tighten wedge bolt (A) until snug.
4. To adjust the grip, loosen 6mm socket head clamp bolt (C) and raise or lower the handlebar grip (D) to desired height.
5. Retighten clamp bolt (C).



## "U" BAR FRAME ADJUSTMENT\*

Loosen quick release lever (F) to the unlock position for adjustment of the "U" bar frame. Move forward or backward to desired position. This is an excellent way to move handlebar assembly out of the way when transferring riders.

*\*Please note: In cases of extreme high tone the quick release lever may need to be replaced with the standard bolt and nut. Part # bolt: 4110440  
Part # nut: 4130254*





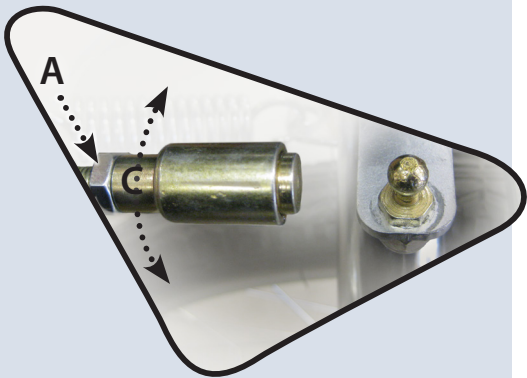
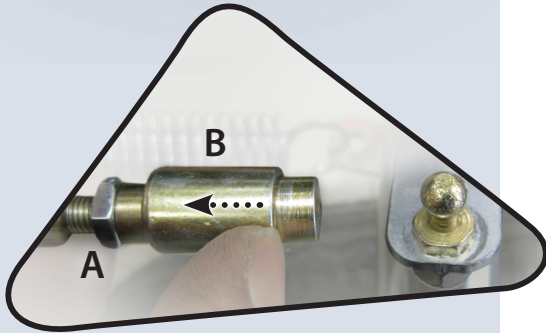


## REAR STEER HANDLE ALIGNMENT ADJUSTMENT

To adjust the tie rod length or re-connect after shipping:

1. Loosen locking nut (A) with 9/16" (14mm) wrench.
2. Slide outer barrel (B) of tie-rod towards locking nut to release from the ball joint, lifting up to disconnect.
3. Turn inner barrel (C) in the required direction 1/2 to 1 full turn at a time to adjust the length of the tie rod as required.
4. Slide outer barrel of tie-rod towards locking nut and reconnect to ball joint.
5. Tighten locking nut (A).

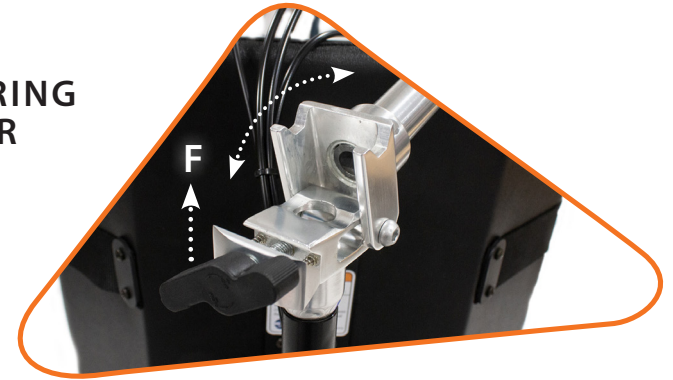
*\*Disconnecting the rear steer handle during transportation of your bike will release the tension on the steering mechanism and allow the rear handle to turn out of the way—requiring less space for transportation.*



## FOLDING REAR STEERING HANDLEBAR COLUMN

On the ET2611 Tandem, the rear steering column can be folded to allow for ease of transportation and storage.

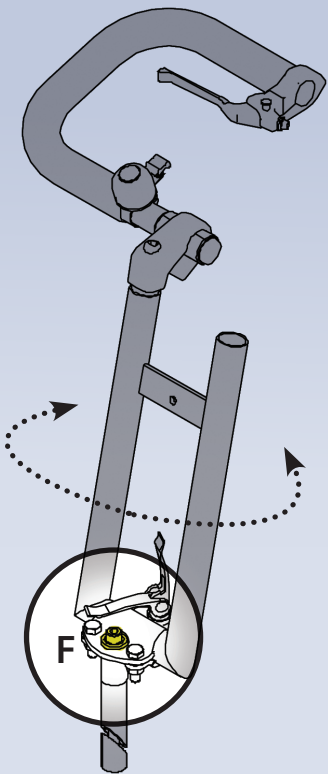
1. Rotate the release knob (F) counter clockwise until the steering column can fold downwards.
2. Fold the steering column downwards.
3. To lock the steering column back in place, pull the handlebars into their upright position and turn the release knob clockwise.



## Need A Little Extra Help Or Don't Understand Something?

Our service department is happy to help!  
Give us a call at:

**1.800.661.9915**



### STEERING ALIGNMENT

Loosen 6mm hex socket head wedge bolt (F) approximately 4-5 turns, tap lightly with hammer, and rotate steering column left or right to align steering with front wheel.



### TANDEM STEERING CABLE TENSION ADJUSTMENT

To adjust cable tension:

1. Loosen locking nut (D) with 9/16" (14mm) wrench.
2. Adjust the tension nut (E) with the same 9/16" (14mm) wrench. Turn the nut clockwise to tighten and counterclockwise to loosen cable.
3. Once desired tension is determined, tighten locking nut (D).

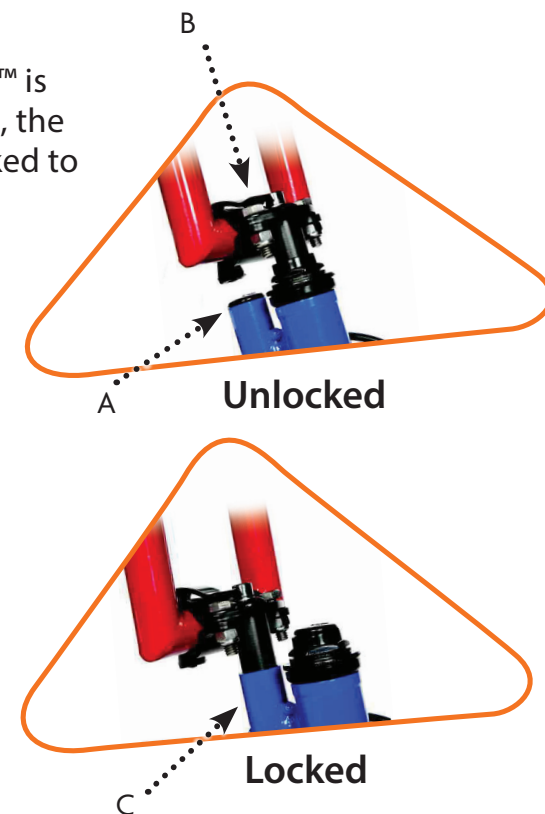
*Note: Tension adjustment should only be made with the front wheel in the straight position.*

### LOCKED/UNLOCKED STEERING ADJUSTMENT

When locked, the handlebars will not steer the bike. Rear Steering™ is required to steer the bike when steering is locked. When unlocked, the handlebars are fully functional. To switch the steering from Unlocked to Locked:

1. Remove the plastic plug (A) from the locked steering tube.
2. To remove handlebar stem from unlocked position, loosen the 6mm Hex socket head wedge bolt (B) approximately 4-5 full turns.
3. Tap bolt (B) lightly with a hammer to unlock wedge nut from within steering tube.
4. Pull up on the handlebar assembly and remove stem from unlocked steering tube.
5. Insert stem into locked steering tube (C) and align handlebars with frame.
6. Tighten the 6mm Hex socket wedge bolt (B) to lock handlebar stem in position.
7. To switch the steering back to Unlocked, follow the steps above to switch the handlebar system back into the steering tube.

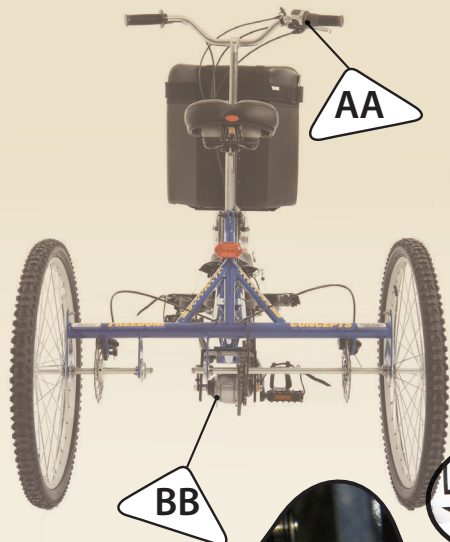
*The 6mm Hex key required for these adjustments can be found on your Freedom Concepts Multi-Tool.*





# Gear Shifting (Adjustments and Operations)

All Freedom Concepts adaptive bicycles are adjustable to individual needs. Provided are some quick reference graphics to help you with your shifting requirements.



## AA: HAND GRIP SHIFTER OPERATION

Rotating the Revo-shifter (A) up towards the “-” sign will lower the gear for easier pedaling. Rotating down towards the “+” sign will increase tension when pedaling.

*Please note: When changing gears with the hand grip shifter the rider must stop pedaling. Once desired gear is selected, pedaling can recommence.*

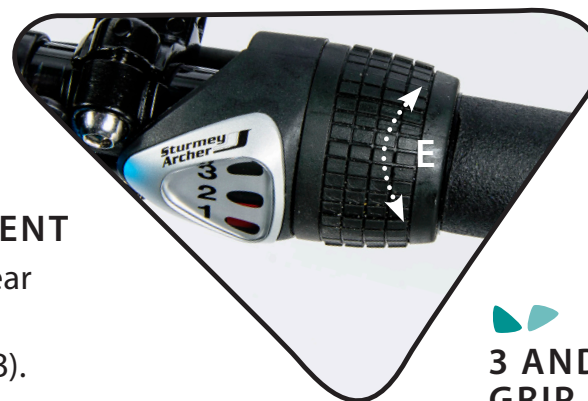
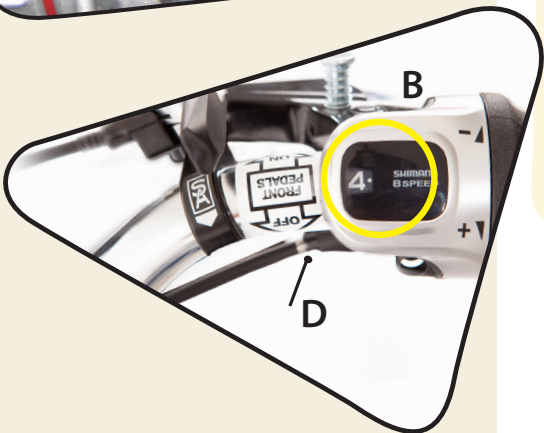
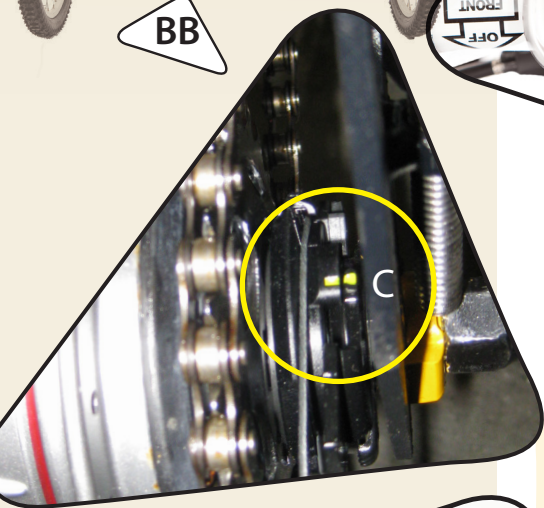


## BB: INTERNAL 8 SPEED NEXUS HUB ALIGNMENT

To align hand grip shifter with the gear box hub adjust the following:

1. Shift hand grip shifter to gear “4” (B).
2. Check Nexus hub for alignment of yellow markers (C).
3. If yellow markers are not in alignment, turn the barrel adjuster (D) until both lines are equal.

*Please note: Any major repairs should be handled by a qualified bike repair shop.*



## 3 AND 5 SPEED HAND GRIP SHIFTER OPERATION

Rotate shifter (E) up towards the “3” to increase tension when pedaling. Rotating down towards the “1” sign will decrease tension when pedaling.

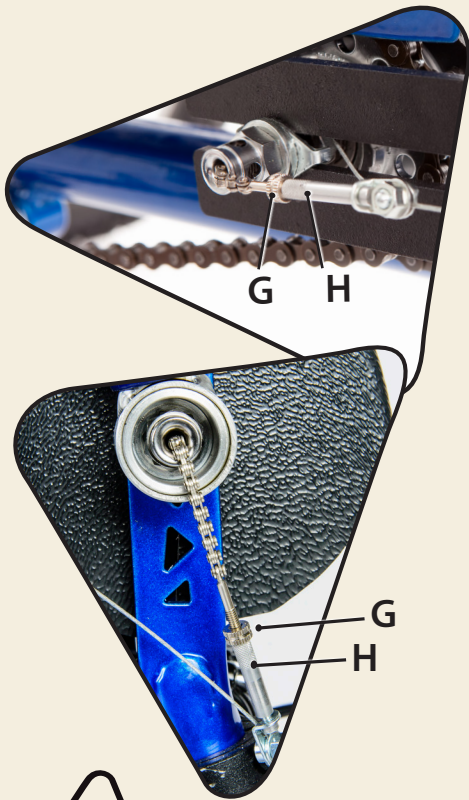
*Please note: When changing gears with the hand grip shifter the rider must stop pedaling. Once desired gear is selected, pedaling can recommence.*



### 3 AND 5 SPEED CABLE ADJUSTMENT

If the cable starts to stretch from normal use, quick adjustments can retighten the slack.

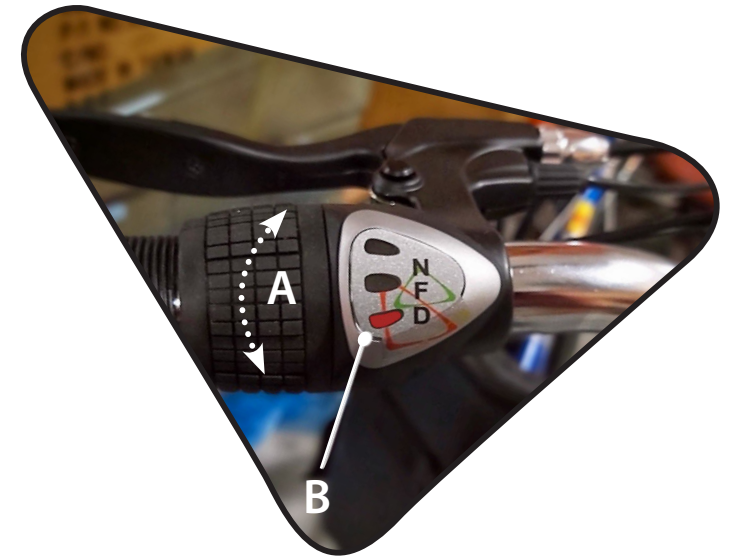
1. Shift to highest gear (3 or 5).
2. Loosen lock nut (G) and turn barrel adjuster (H) until cable is trim but not tight.
3. Tighten lock nut (G).



### PEDAL CONTROL SHIFTER

The pedal control shifter connects the front and back cranks (pedals), depending on what mode the bike is in. This is controlled by the shifter located on the left side of the handlebar. To change the hub's mode, rotate the grip shifter (A) to the desired mode. A red indicator (B) on the shifter will show what mode the driver is in.

*Note: Due to the characteristics of an internally geared hub, shifting while pedaling will feel more difficult. It is recommended to stop pedaling when shifting for a smoother shift.*



#### MODE FUNCTIONS:

##### **N: Neutral**

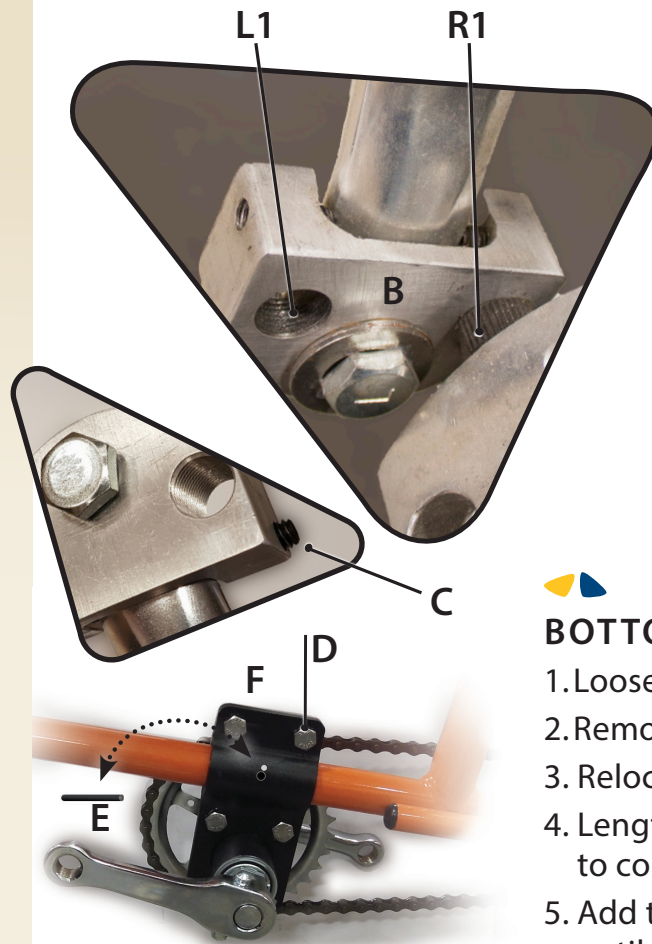
This mode disengages both the front and back pedals. The front rider can rotate their pedals without affecting or contributing to the propulsion of the bike.

##### **F: Free Hub**

This mode allows the front rider to contribute to the propulsion of the bike. This provides a traditional bike riding experience for the rider where they can pedal forward to contribute with the propulsion and stop pedaling while coasting if they get tired.

##### **D: Direct Drive**

This mode locks the front and back pedals together, allowing for a more engaging riding experience for the front rider. Any motion from the back pedals will be transmitted to the front cranks.



## CRANK ARM LENGTH SHORTENER

A multi-length crank shortener is used for greater adjustability of the range of motion.

1. Bolt adapter (B) to crank arm. Ensure locking support channel on adapter is facing crank arm to secure adapter in place. Tighten set screw (C) to lock in place.
2. Attach pedal in appropriate adapter hole for desired range of motion. The right pedal goes in hole (R1), left pedal in hole (L1).



## BOTTOM BRACKET AND CRANK ADJUSTMENT

1. Loosen 4 bracket bolts (D).
2. Remove roll pin (E).
3. Relocate bottom bracket (F) to desired position.
4. Lengthen or shorten chain with a chain break tool to correct length (sold separately).
5. Add tension to chain by moving bottom bracket (F) forward until there is no slack in the chain.
6. Tighten bolts (D), drill new hole in frame for roll pin using bracket hole for a guide and replace with new 1/8" roll pin (E).

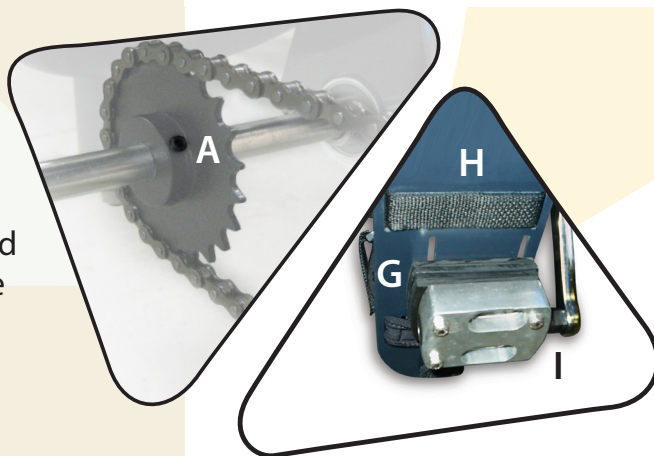


## PEDAL SPACERS

1. Stack spacers (G) between foot plate (H) and foot pedal base (I).
2. Secure from the top with supplied screws (J) through foot plate, spacers and into foot pedal base.

## REAR SPROCKET ADJUSTMENT

Check set screw (A) periodically for tightness. Use 1/8" Hex Key wrench. This ensures good propulsion of the bike at all times.







## SEATING DEDICATED TO YOUR COMFORT, SUPPORT AND STYLE.

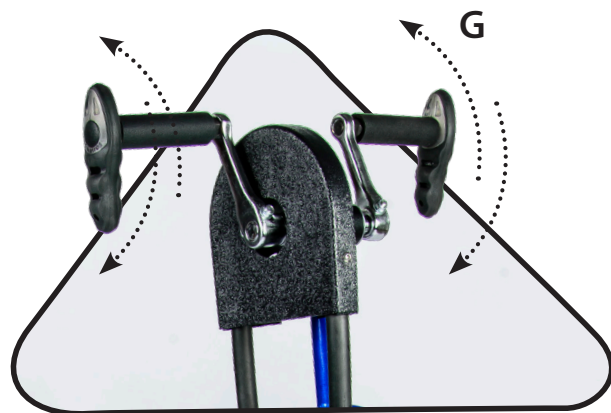
Chill-Out Chairs assist with a wide range of behavioral and therapeutic needs. Every Chill-Out Chair is built with a combination of high-grade foams to help relax spastic muscles and provide the most comfortable sitting experience possible.



LEARN MORE AT:  
[CHILL-OUTCHAIR.COM](http://CHILL-OUTCHAIR.COM)

## Braking (Adjustments and Operations)

All Freedom Concepts adaptive bicycles are adjustable to individual needs. Provided are some quick reference graphics to help you with your braking requirements.



### HAND COASTER BRAKE

Just like the conventional foot coaster brake design, brakes are engaged by pedaling in the backwards direction (G).

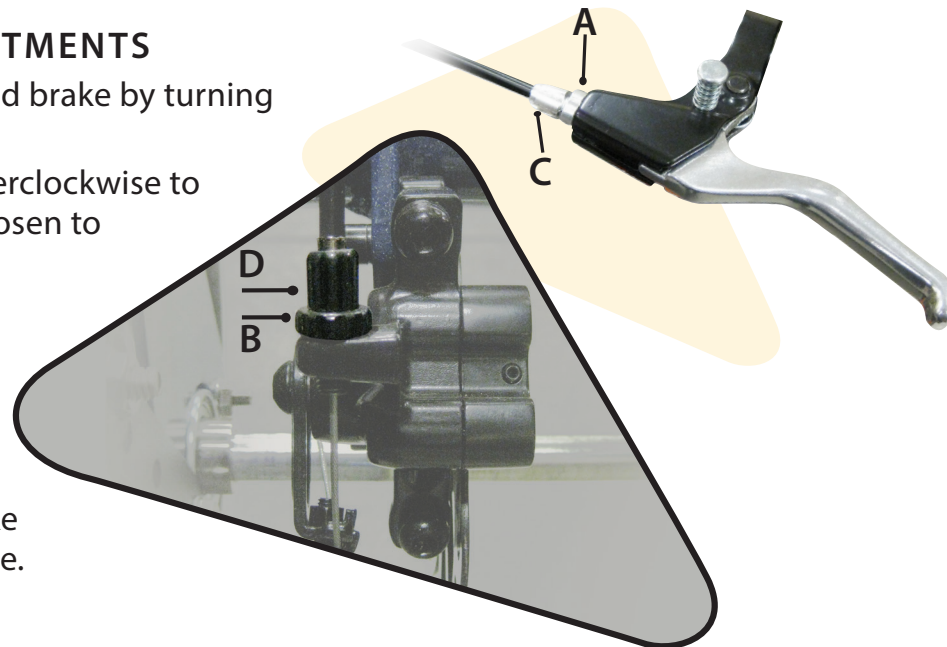
### Learn More With Our How-To Videos.

Scan the QR Code with your phone and you will be linked to our Ready to Ride Video Series.

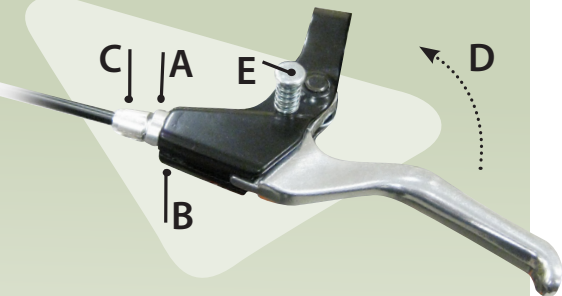


### DISC BRAKE TENSION ADJUSTMENTS

1. Loosen the locknut (A) on the hand brake by turning counterclockwise.
2. Turn the barrel adjuster (C) counterclockwise to tighten tension or clockwise to loosen to desired tension. Then tighten (A).
3. Adjust disc brake at wheel by turning locknut (B) counterclockwise to loosen.
4. Alter barrel adjuster (D) to desired setting by turning counterclockwise to increase brake sensitivity or clockwise to decrease.
5. Tighten locknut (B).



## ! WARNING



When transferring someone on or off the bike, always squeeze brake handle (D) and push in pin (E) to lock brake. This helps to stabilize the bike. To release brake lock, squeeze handle (D).



## REAR PARKING BRAKE

(Not available for DCP Mini, ET2611 or AS2600)

Parking brakes are available for one or both rear wheels on most bike models. Parking brakes are ideal for transferring riders on or off the bike, by stabilizing the bike movement. To use the parking brake, simply push the brake lever down to lock and lift up to release.



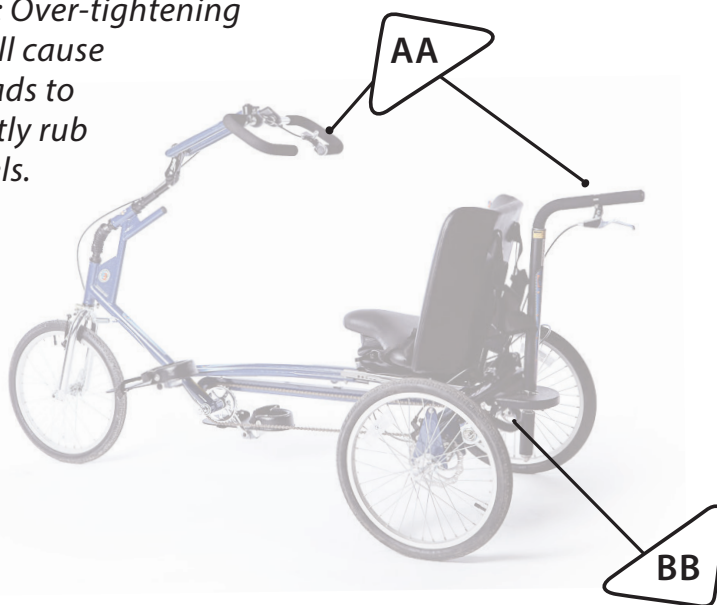
## AA: HAND BRAKE TENSION ADJUSTMENTS

1. Loosen the locknut (A) by turning away from housing (B).
2. Turn the barrel adjuster (C) towards the housing to loosen and away to tighten brake sensitivity.

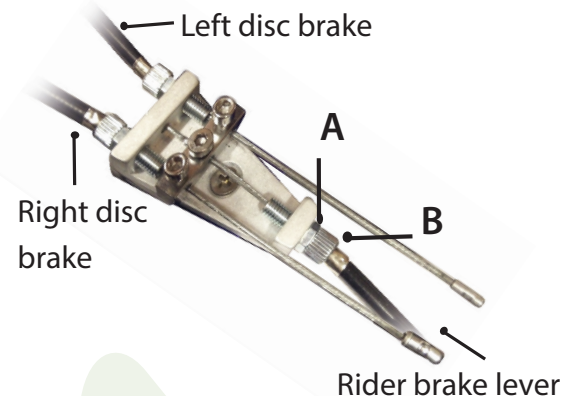
*Please note: when squeezing to apply the brakes, the brake lever should not touch the handlebar.*

3. Turn locknut (A) clockwise until tight.

*Caution: Over-tightening cable will cause brake pads to constantly rub on wheels.*



*For instructions on cable adjustments to the calipers, follow caliper brake tension adjustments on page 17.*



## BB: DUAL BRAKE CABLE JUNCTION BLOCK ADJUSTMENTS

1. Loosen the locknut (A) by turning counterclockwise.
2. Turn the barrel adjuster (B) clockwise to tighten and counterclockwise to loosen brake sensitivity.

*Please note: When squeezing the brake lever to apply the brakes, the lever should not touch the handlebar when closed.*

3. Turn locknut (A) clockwise until tight.

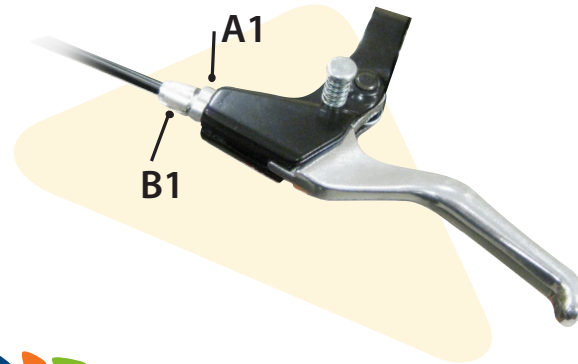
*Caution: Over-tightening cable will cause brake pads to constantly rub on wheels.*

## ! WARNING

Always ensure brake pads only touch the rim of the wheel. Pads touching the tire can cause flats.

### Learn More With Our How-To Videos.

Scan the QR Code with your phone and you will be linked.

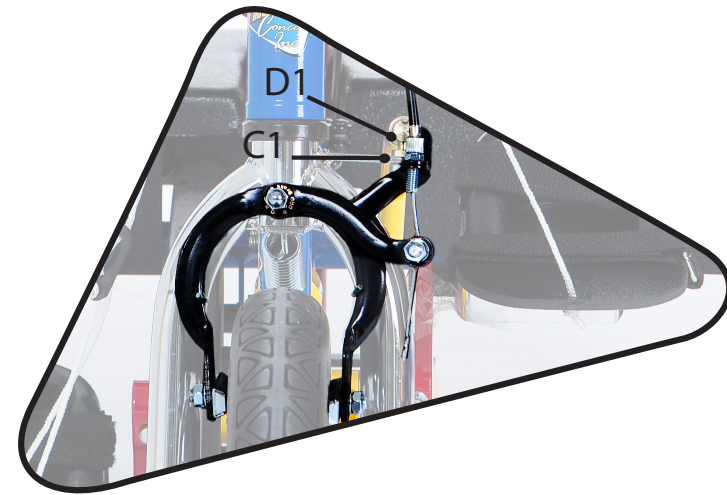


### V- BRAKE TENSION ADJUSTMENTS

1. Loosen the locknut (A1) on the hand brake by turning counterclockwise.
2. Turn the barrel adjuster (B1) counterclockwise to ensure brake pads stop tire from spinning when hand brake is squeezed and do not rub when released.



*Please note:  
Any further cable repairs should be handled by a qualified bike repair shop.*



### CALIPER BRAKE TENSION ADJUSTMENTS

1. Loosen the locknut (A1) on the hand brake by turning away from housing to allow for fine tune hand brake adjustments.
2. Turn the barrel adjuster (B1) counterclockwise to ensure brake pads stop tire from spinning when hand brake is squeezed and do not rub when released.
3. Loosen locknut (C1) on caliper brake.
4. Turn the barrel adjuster (D1) away from the housing to bring pads closer to rim to ensure brake pads stop tire from spinning when hand brake is squeezed and do not rub against the rim when released.
5. Tighten both locknuts (A1 and C1).



## Maintenance

1. Keep tire pressure inflated to manufacturer's recommended pressure shown on the side of tire.
2. Keep bearings properly lubricated at all times to ensure smooth rotation and lasting operation.
3. Make sure all bolts and screws are tight.
4. Always keep chain lubricated.
5. Always keep bike clean and dust free.
6. Store bike indoors.
7. Ensure that at least 4" (10 cm) of seat post is in the seat tube of frame. **DO NOT** raise seat post past maximum height indicator.
8. Adjust brakes regularly to ensure proper stopping.
9. Adjustments can be made using the **Freedom Concepts Multi-Tool**, which is shipped with all bike purchases.

## Additional Features

### ADJUSTABLE TILT FORK

Each Adjustable Tilt Fork comes with an adjustment ratchet. To increase the tilt, use the adjustment ratchet to rotate the bolt on top of the fork clockwise. To decrease the tilt, rotate the bolt counterclockwise.



### ANTI-TIPPERS

To adjust the Anti-Tipper, pull the red knob outward and move the Anti-Tipper up or down. Release the red knob to lock the Anti-Tipper into place. **Always ensure Anti-Tippers are in the "down" position when the Adjustable Tilt Fork is in use.**





## ON/OFF PIN RECIPROCATOR

Manually turn the reciprocator ON (Pull and Twist slightly to the Right) to allow for Direct Drive (when the bike is in motion, the feet are also in motion). Turn the reciprocator OFF (Pull Out Red Knob) to engage Free Wheel (allows legs to rest while bike coasts forward.)



## ELECTRIC ASSIST MOTOR

Did you know we offer the option of electric assist motors? They are ideal for those who take extended bike rides or for those who need assistance on inclines or when tandem riding. Ask your rep today to learn more.



## Learn More With Our How-To Videos.

Scan the QR Code with your phone and you will be linked.





Freedom Concepts was born from a special request to build a bike for a child with a disability. This one bike was such a huge success that it opened the door to many new requests and the birth of a company. Today, bikes from Freedom Concepts can be found throughout the world. We continue to innovate and develop not only bikes, but other unique items like Chill-Out Chairs and climbers. Visit us online to see our latest creations or give us a call.

***“Give us a need, we will find a concept.”***

Ken Vanstraelen  
P R E S I D E N T

## Freedom Concepts Warranty



A one-year warranty is offered on all parts and accessories purchased with a brand new Freedom Concepts bike. The warranty commences on the date the product is shipped to the customer. Freedom Concepts will cover all parts, freight, and service costs on approved warranty claims within the first year. All parts/service issues that occur after the one-year mark will be dealt with through our Parts & Service department at an additional cost to the customer. This warranty does not include repair or replacement required as a result of misuse, abuse, neglect, or use for any purpose other than originally intended. Repair work conducted by any unauthorized service representative resolves Freedom Concepts from further liability or obligation under this warranty.

Freedom Concepts also provides a Standard 10-Year Warranty on all bike frames (not including depreciation to the paint and finish). Any frame claims under this warranty will be pro-rated to the age of the bike and will not include any charges associated with freight and shipping costs. The Standard 10-Year Warranty on adaptive bikes is non-transferable and only applies to the original owner of the product. This frame warranty is not applicable on discontinued models or on bikes that have been used in a multi-user facility.

Regular bike maintenance and upkeep should be performed on all Freedom Concepts adaptive bikes to prolong the useful life of the equipment and to guard against unnecessary product failures.

Freedom Concepts reserves the right to alter or change warranty policies at any time and without notice.

**CREATING A CYCLE OF** *mobility*

Register online at: [freedomconcepts.com/warranty](http://freedomconcepts.com/warranty)



# Notes

---

---

---

---

---

---

---

---

---

---

---

---

---

---

---

---

---

---

---

---

---

---

---

---





# Need Some More Help?

Scan the QR Code with your phone to be linked to our How-To Videos, or give us a call at 1-800-661-9915.

Our customer service team will be happy to help.







# Questions?

Call Us! 1-800-661-9915

 @FreedomConceptsInc

 @FreedomConcepts

 @FreedomConcepts

Email: [mobility@freedomconcepts.com](mailto:mobility@freedomconcepts.com)

Website: [freedomconcepts.com](http://freedomconcepts.com)

**FREEDOM**  
Concepts  
Inc.™